

ELECTRICAL DEPARTMENT
RAIL WHEEL FACTORY

ROLES AND RESPONSIBILITIES

Power Group

Responsible for operation and maintenance of power distribution and general services for entire RWF.

Also caters for EOT crane operators for Wheel, Axle and Stores Department.

Control Goup

Responsible for maintenance of M&Ps in Wheel and Axle Shops.

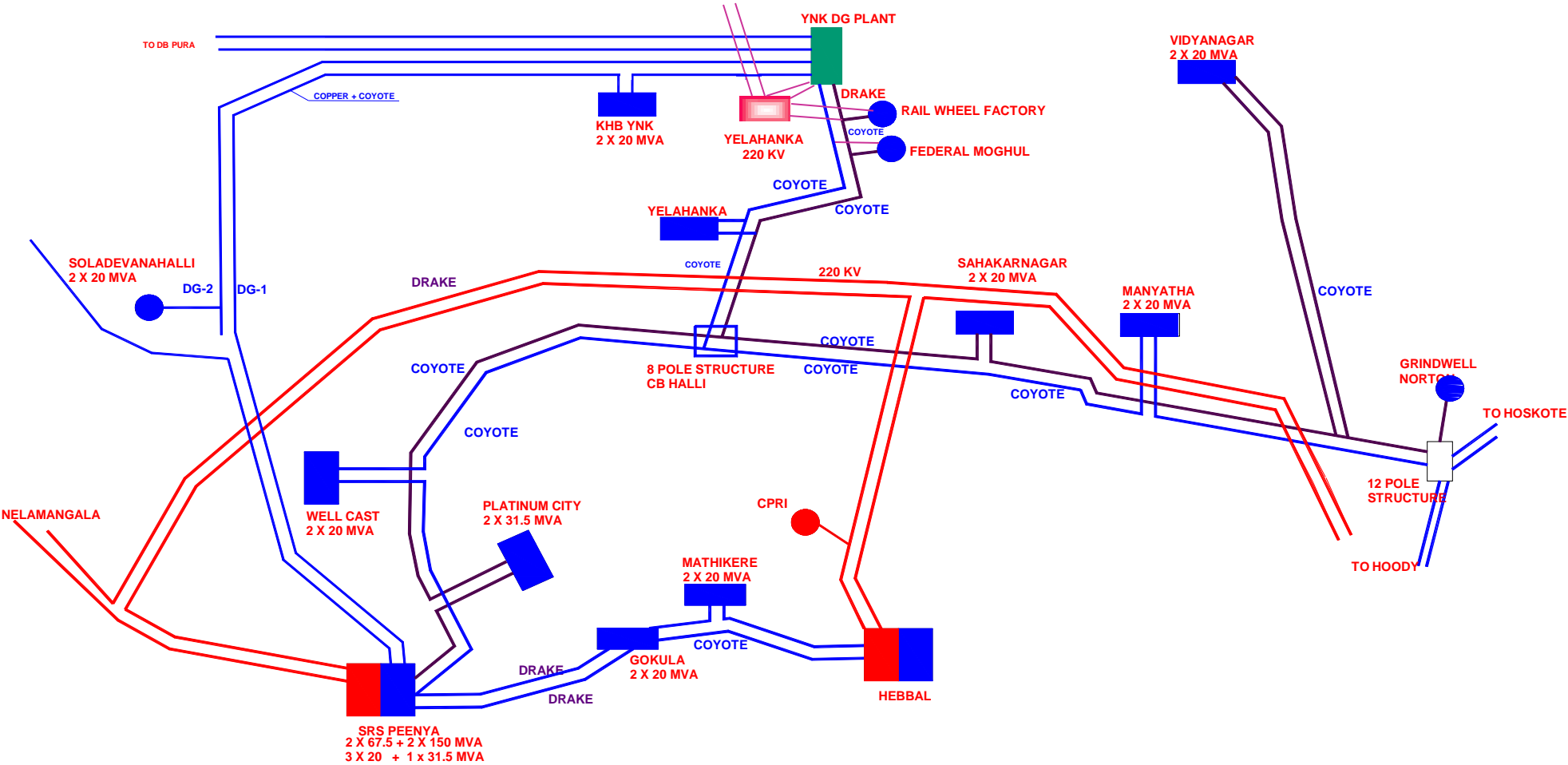
Electronic Lab

Responsible for maintenance of electronic systems in M&Ps of entire RWF.

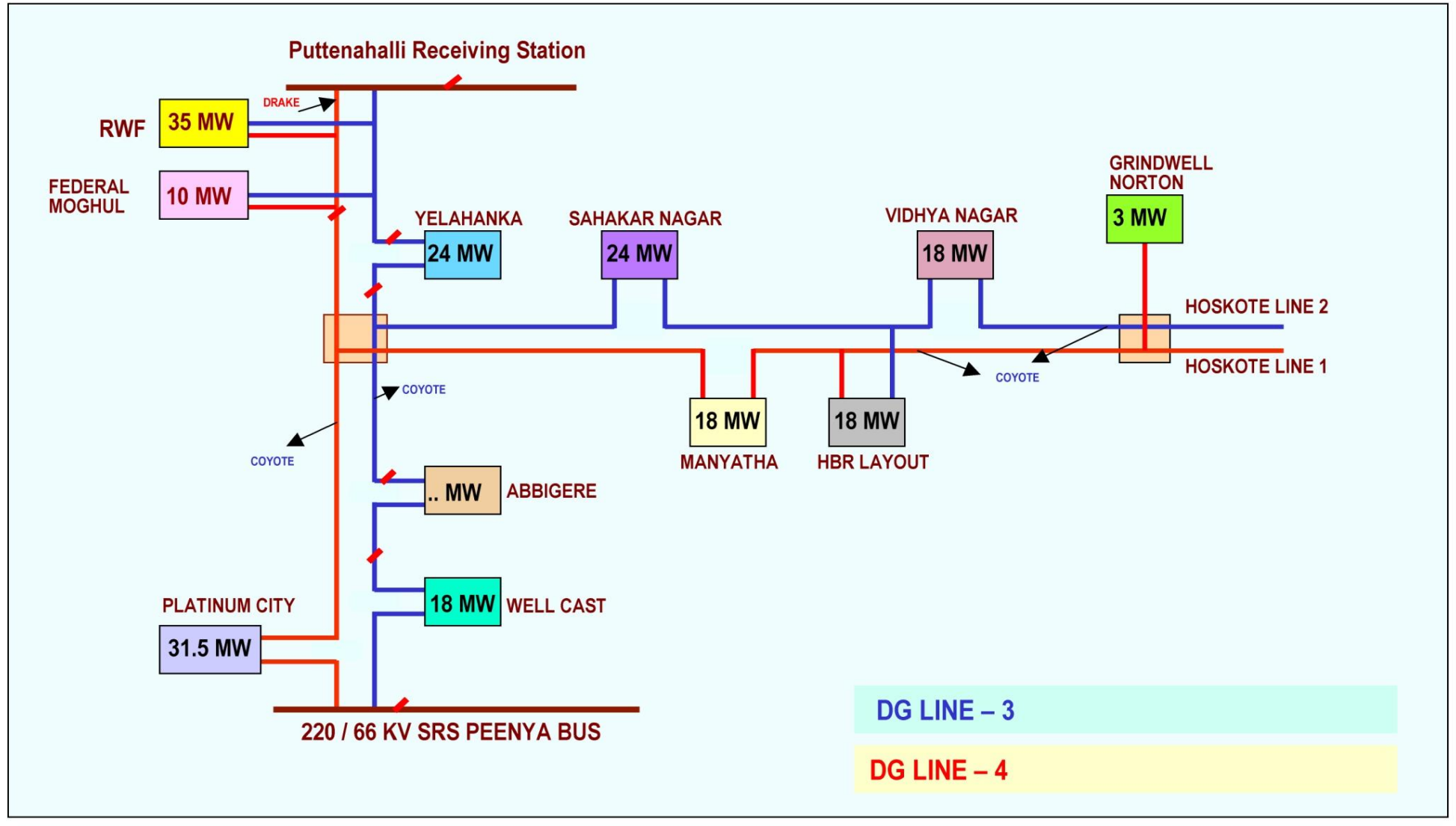
S&T

Responsible for operation and maintenance of communication system for entire RWF.

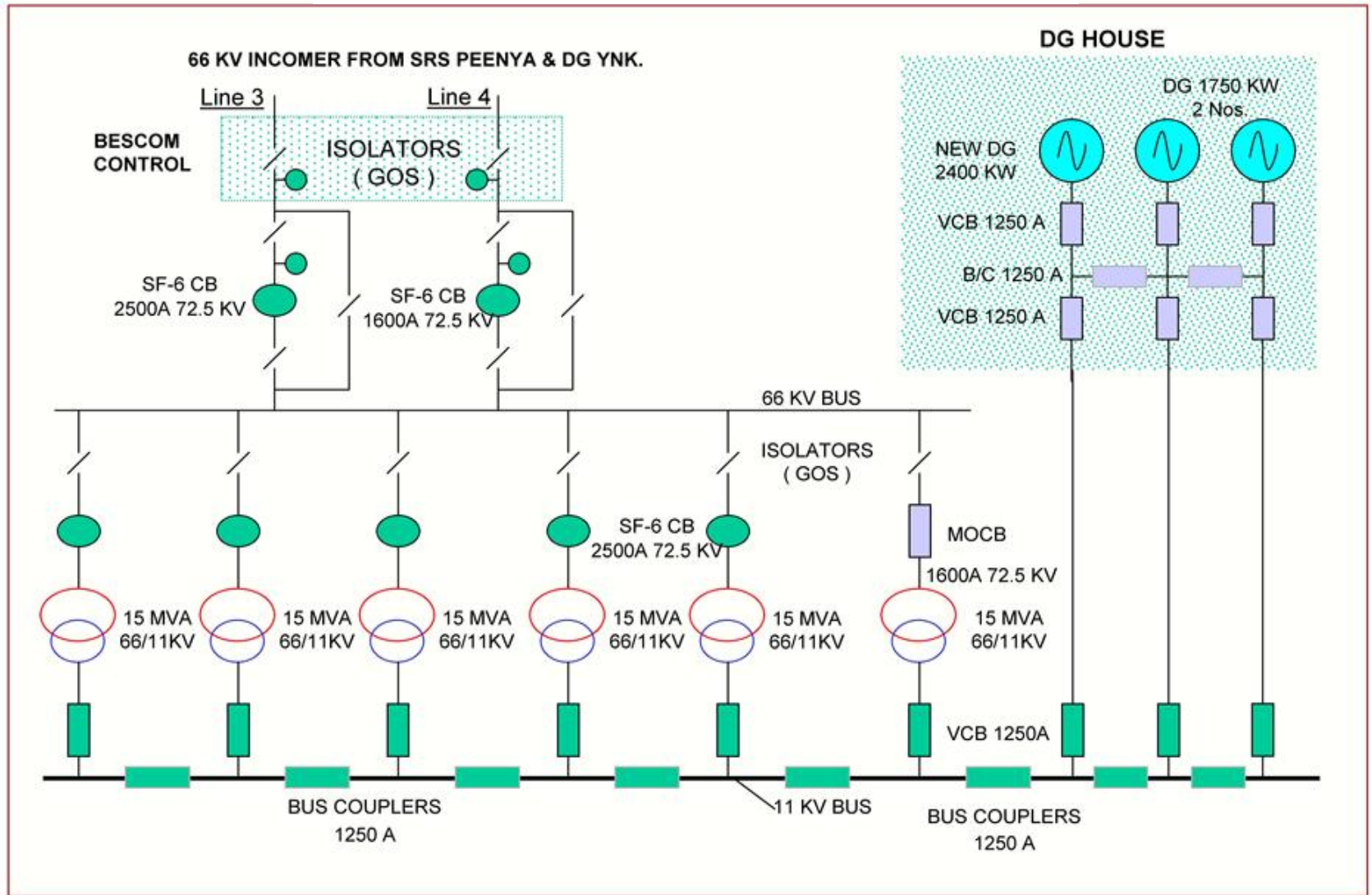
KPTCL RING MAIN 220 KV & 66 KV



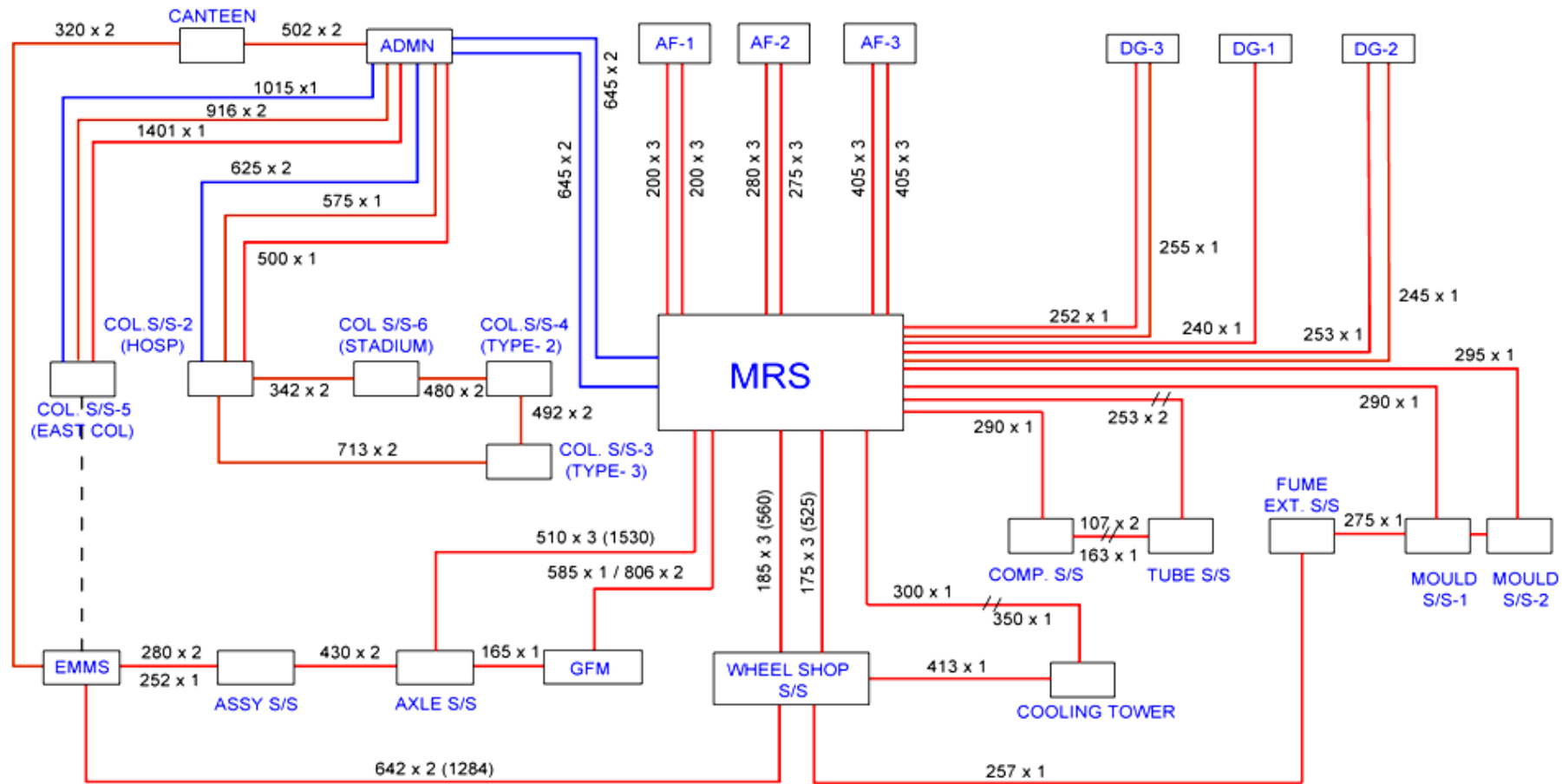
66 KV Double Ckt. Power Supply arrangement OF KPTCL



66KV MAIN RECEIVING STATION / RWF



11 KV RING MAIN SYSTEM OF FACTORY



SPECIAL FEATURES:

1. RING IS MADE AT 11KV SIDE.
2. NORMALLY RING IS WITH SINGLE CABLE.
3. 3 RUNS OF CABLE MADE SPECIALLY FOR FURNACE, WHEEL SHOP & AXLE SHOP.

- 400 Sq. mm Cable
- 185 Sq. mm Cable
- 95 Sq. mm Cable
- - - PROPOSED

DETAILS OF SUB STATIONS

There are 20 Nos. of 11KV/440V unit substations and all are interconnected making 11KV Ring Main System as given below:

S/Stn.	Location	Capacity in KVA	No. Of Transformers with switch gears	Feeding Area
1	Main Receiving Station (MRS) 66/11KV	15000	6	Complete Factory
2	Wheel Shop Sub Station	1600	6	Wheel Shop
3	Fume Extraction S/Stn.	1600	2	
4	Tube Sub Station	1600	2	
5	Mould Pre Heat-I	1600	2	
6	Mould Pre Heat-II	1600	2	
7	Compressor Sub Station	1600	2	
		500	1	
8	Assembly Sub Station	750	2	Axle Shop
		1000	2	
9	Axle Sub Station	750	6	
		1600	1	
10	GFM	1000	2	
11	EMMS	500	2	EMMS.
12	Canteen	400	2	
13	Admn. Sub Station	400	2	
14	Pump House	750	2	
15	East Colony	400	2	
16	Hospital Sub Station	400	2	
17	West Colony Sub Station –I	400	2	Colonies
18	West Colony Sub Station – II	400	2	
19	West Colony Sub Station – III	400	2	
20	DG House	100	2	
TOTAL			56	

OTHER ASSETS

Colony

- OFF line 110 KVA DG in Admin Building.
- ON line 110 KVA DG in Railway Hospital.
- 4 Nos Borewell .
- 2 Nos. GM office lift.
- 1 No. Hospital lift.
- 2 x 60 KVA UPS for MIS Center.
- 15 KVA UPS at various essential locations.
- 1 X 20 + 1x10 HP Pumps for OHT at colonies.
- 140 Nos Split ACs.
- 314 Nos 100 LPD Solar Water Heaters.
- Electrified Quarters-
 - ❖ East Colony - 74 [36(T-IV) +37 (T-V) +1 (GM)]
 - ❖ West Colony - 944 [222(T-I)+403(T-II)+267(T-III)+52 (T-IV)]

OTHER ASSETS

Plant

- 2 X 1750 KW DG and 1 X 2400 KW DG Sets.
- 03 Nos. Pump for open wells.
- 2 X 20 HP Pumps for OHT at Plant.
- 700 LPD (100 X 5 + 200 X1) Solar Water Heaters.

ELECTRONICS LAB

The Electronics Lab meets the in-house requirement of RWF in servicing and repair of the Electronic modules/ Sub Assemblies.

SIGNAL & TELECOMMUNICATION DEPT.

Deals with the Installation & Maintenance of Telecommunication equipments & Network throughout the RWF premises.